

Area Light, Parking Lot Light Fixture

Installation Instructions



CAUTION: SHUT OFF BREAKER AT PANEL when you install the fixtures

1. Electrician must have related certificates, knowledge and working experience. The work must be assigned to each electrician based on their position and responsibility.
2. The lens of parking lot light are PC material, they may be scratched by any careless handling. The parking lot light must be carefully protected during installation, especially when the face of fixture is put downward, it needs to be protected with soft cloth or other protecting materials.
3. Installation must be proceeded when the electricity is shut off, no action be taken when there is electricity connected.
4. Construction must be proceeded according to related regulations, including the tools and equipment used. For example: working voltage range, warning sign, flashing lamp, helmet, and working clothes etc.
5. Make sure the weather is suitable for high power electricity work when proceed construction.



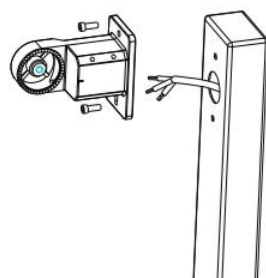
Installation Instructions

Step 0: When doing a replacement job, remove the existing fixture from the pole. **MAKE SURE THE FIXTURE RATED VOLTAGE MATCHES THE SITE VOLTAGE.**

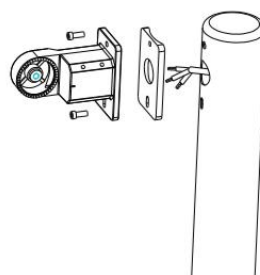
Step 1:

For square and round arm mount:

Take off the pole cap, position and align the bracket, center and plumb, over the pole holes. If the existing drill pattern does not match the existing holes, align the top hole, then mark and drill the remaining holes. Pull out the cable to the cable compartment, fix the inner smaller plate and outer brackets by using 2 M8*35 bolts and nuts. (1 outer bracket for arm mount, 2 outer brackets for round arm mount)



Square arm mount



Round arm mount

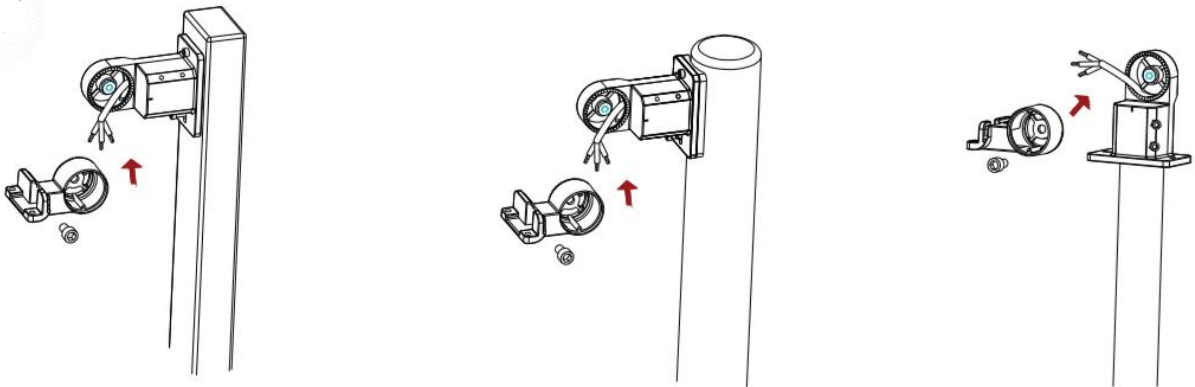
For slip fitter mount:

Engage the adjustable fitter onto the pole top, pull the power supply cable out to the cable wiring compartment. Fix this part to the pole by using 4 M8*25 screws.



Step 2:

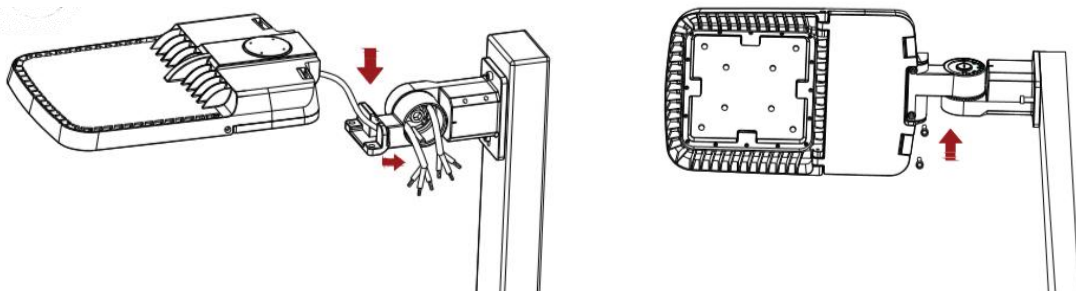
Adjust the tilt angle as wanted, fix the 2 parts of brackets using a M12*25 hexagonal bolt, fasten it. For arm mounting, do not forget to fasten the 4 M8*25 screws.



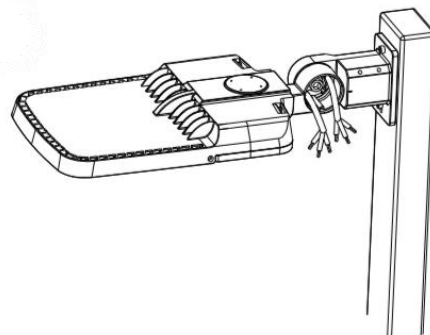
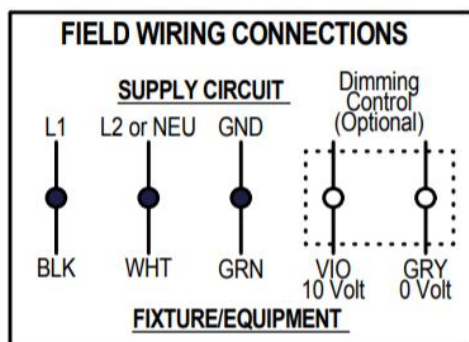
Step 3:

From this step, we will use arm mount as sample not showing all the mounting types.

Pull the fixture input power cord through the bracket to the wiring compartment, place the fixture over the bracket, fix it by using 2 M6*20 screws.



Step 4: Refer to the wiring section for wiring details methods, finish wiring within the cable compartment.



Step 5: Cap the wiring compartment with the round metal plate, fix it using 2 M4*8 screws, add the M20 nylon cap.

